

RETAINING RINGS

with bended ends

for the bearing
industry

TECHNICAL INFORMATION

material:

oil tempered wire acc. to EN10270-2 –FDC
or patented carbon steel acc. to EN 10270-1

mechanical properties:

HRc 45÷50 (460 +60 HV10)

surface finishes:

oiled or phosphated and oiled

applications:

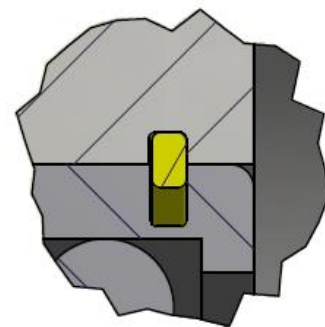
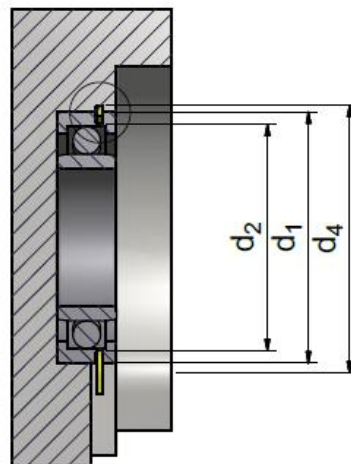
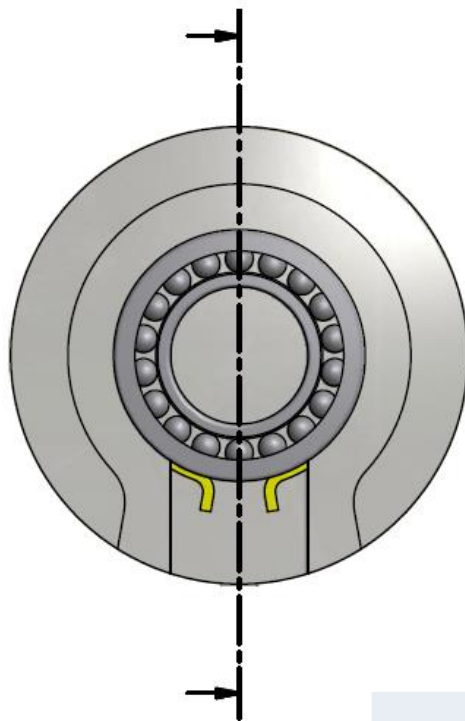
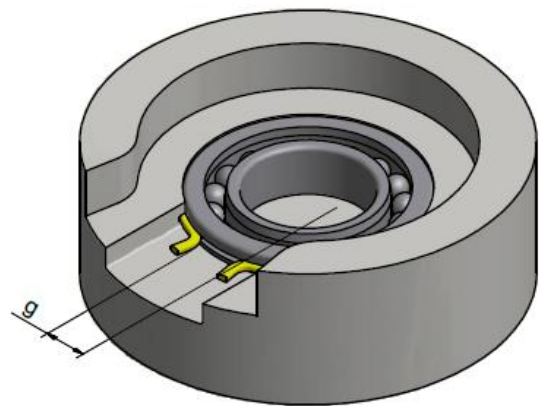
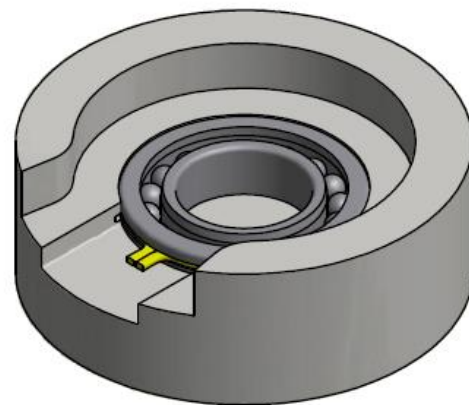
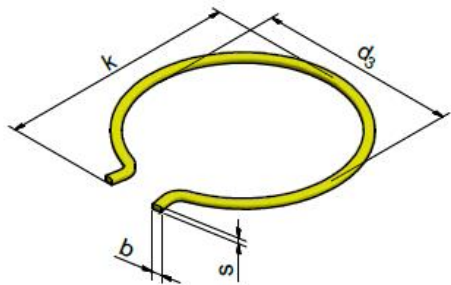
bearing industry

residual magnetism:

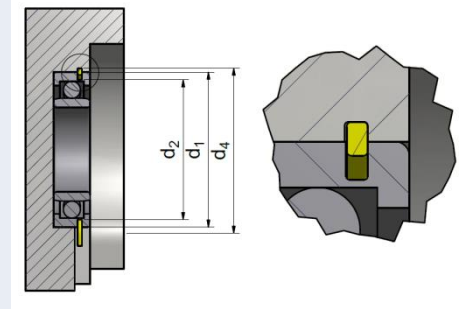
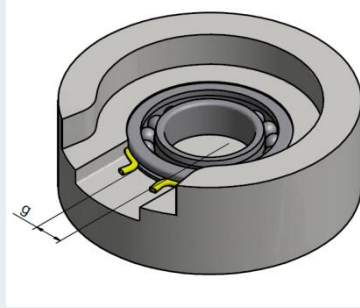
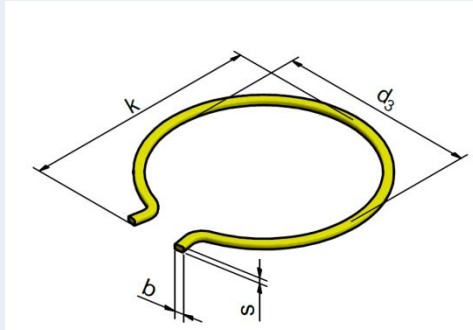
5 A/cm max

packaging:

personalized packaging according to the
customer's request either loose in bags or stacked
in tubes by shrink-wrap film



This kind of retaining rings are custom made and manufactured according to customer's requirements. The table below shows only some examples of rings that we are currently supplying.



b _{-0,1}	S _{-0,07}	K ₊₁	g at d4	d₁	d₃	d₄
2,4	1,52	53	11 ₊₁	44	47,5 ₊₁	46,8
2,4	1,5	56	11 ₊₁	47	50,5 _{+1,2}	49,8
2,4	1,52	64	11 _{+1,5}	53	56,1 _{+1,2}	55,8
2,4	1,52	65	11 ₊₁	55	58,1 _{+1,2}	57,8
2,4	1,52	82	16 ₊₁	72	75,1 _{+1,2}	74,8
2,4	1,52	95	16 ₊₁	85	88,1 _{+1,2}	88,1
2,4	1,52	110	16 ₊₁	100	103,1 _{+1,2}	102,8

Please contact us for any diameters not included. We would be glad to offer you a customized solution.

Customer Service plays a very important role for PSE. In order to keep improving our service for our clients, we have focused all commercial activities in our parent company in Trezzano Rosa.

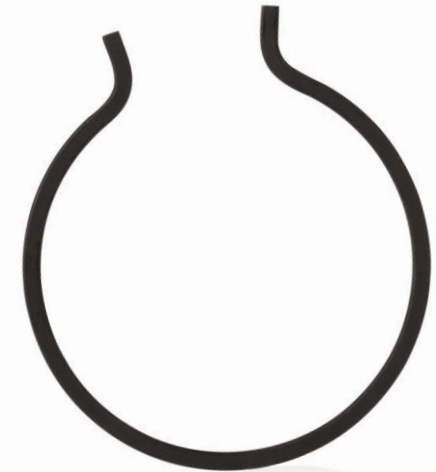
We are available for any information on our products, orders, shipping. **We speak your language.**

Italia&Worldwide

Precision Spring Europa S.p.A
via Turati, 7
I-20060 Trezzano Rosa (MI)

Tel: +39 02 920 19 435
Fax: +39 02 920 19 492

sales@pse-group.com



[Follow us on our NEW Website! www.pse-group.com](http://www.pse-group.com)