

# RETAINING RINGS



with U PROFIL

for the bearing industry



## TECHNICAL INFORMATION

material:

high carbon steel acc. to EN10132-4

mechanical properties:

HRc 40÷52

surface finishes:

oiled or phosphated and oiled

applications:

bearing industry

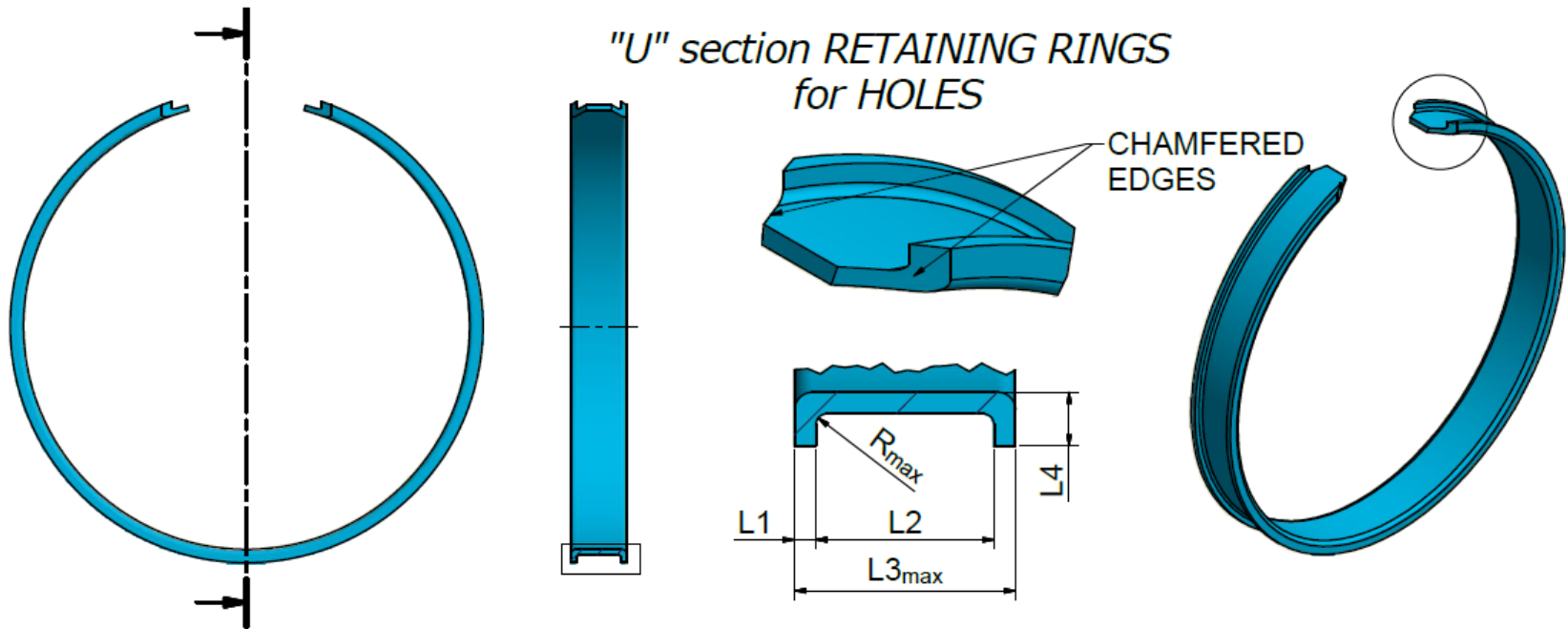
residual magnetism:

5 A/cm max

Packaging:

personalized packaging according to the customer's request either loose in bags or stacked in tubes by shrink-wrap film

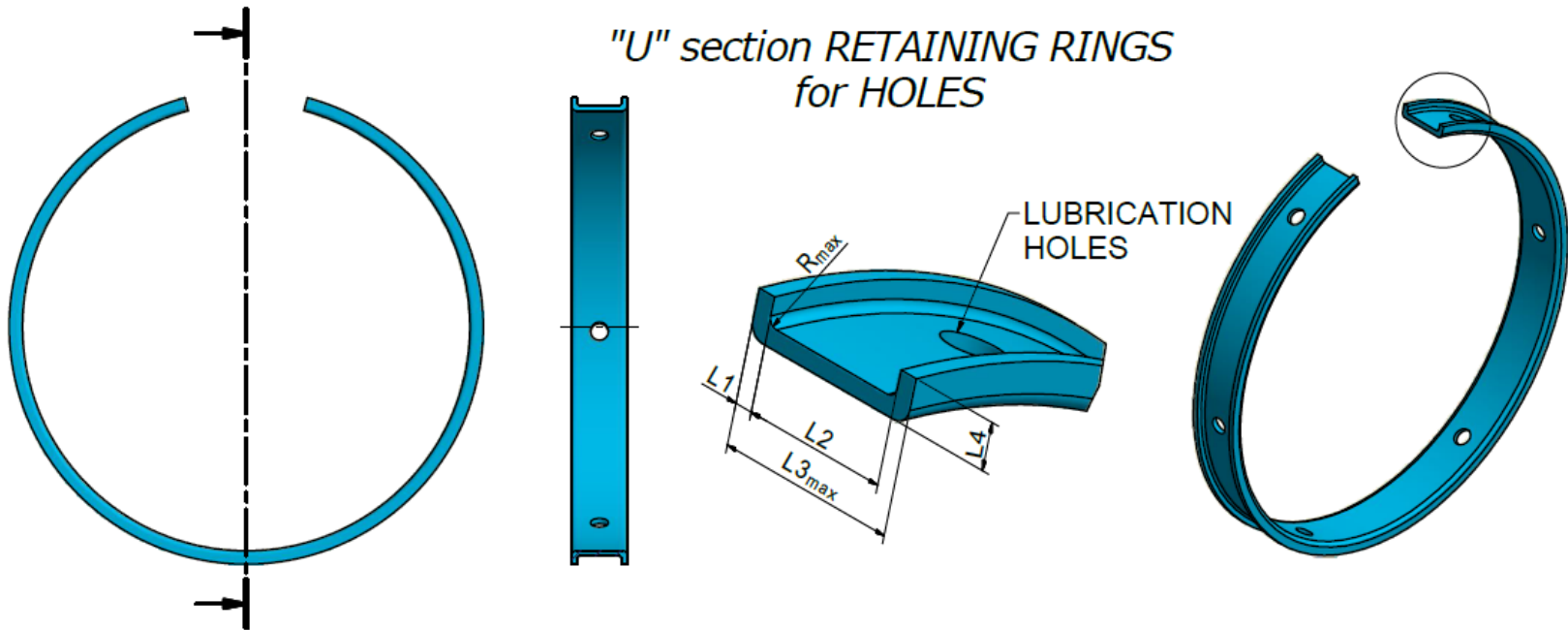
## "U" section RETAINING RINGS for HOLES



STANDARD "U" SECTIONS - RETAINING RINGS for HOLES

pos.	code	L1	L2	L3max	L4	Rmax
01	0.PUQTC15001	0,60	5,00	6,40	1,50	0,30
02	0.PUQTC20501	0,75	3,80	5,36	2,05	0,20
03	0.PUQTC14501	0,80	4,10	5,85	1,45	0,50
04	0.PUQTC15004	0,80	4,80	6,56	1,50	0,30
05	0.PUQTC18001	0,80	6,00	8,00	1,80	0,30
06	0.PUQTC18002	0,80	7,00	8,80	1,80	0,30
07	0.PUQTC25001	1,00	5,00	7,06	2,50	0,20
08	0.PUQTC20001	1,00	6,00	8,10	2,00	0,30
09	0.PUC6045001	1,50	11,60	14,80	4,50	0,50

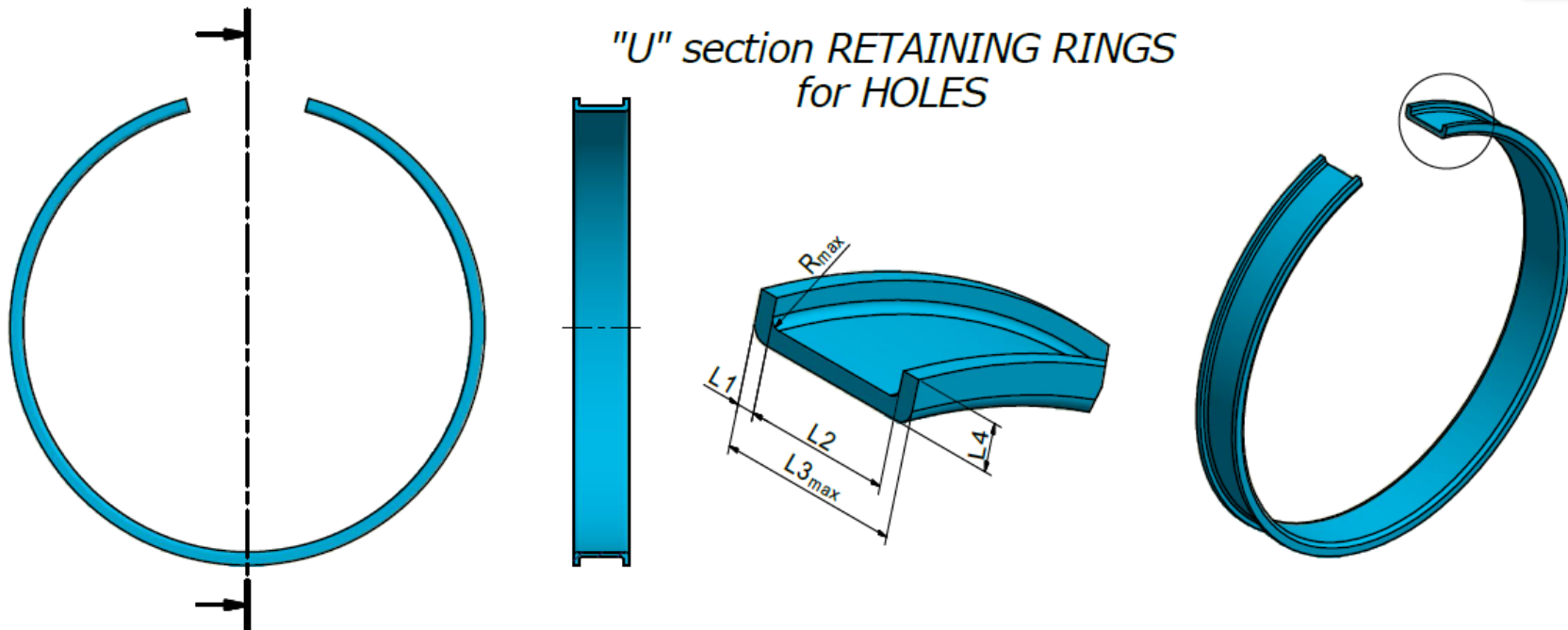
## "U" section RETAINING RINGS for HOLES



STANDARD "U" SECTIONS - RETAINING RINGS for HOLES

pos.	code	L1	L2	L3max	L4	Rmax
01	0.PUQTC15001	0,60	5,00	6,40	1,50	0,30
02	0.PUQTC20501	0,75	3,80	5,36	2,05	0,20
03	0.PUQTC14501	0,80	4,10	5,85	1,45	0,50
04	0.PUQTC15004	0,80	4,80	6,56	1,50	0,30
05	0.PUQTC18001	0,80	6,00	8,00	1,80	0,30
06	0.PUQTC18002	0,80	7,00	8,80	1,80	0,30
07	0.PUQTC25001	1,00	5,00	7,06	2,50	0,20
08	0.PUQTC20001	1,00	6,00	8,10	2,00	0,30
09	0.PUC6045001	1,50	11,60	14,80	4,50	0,50

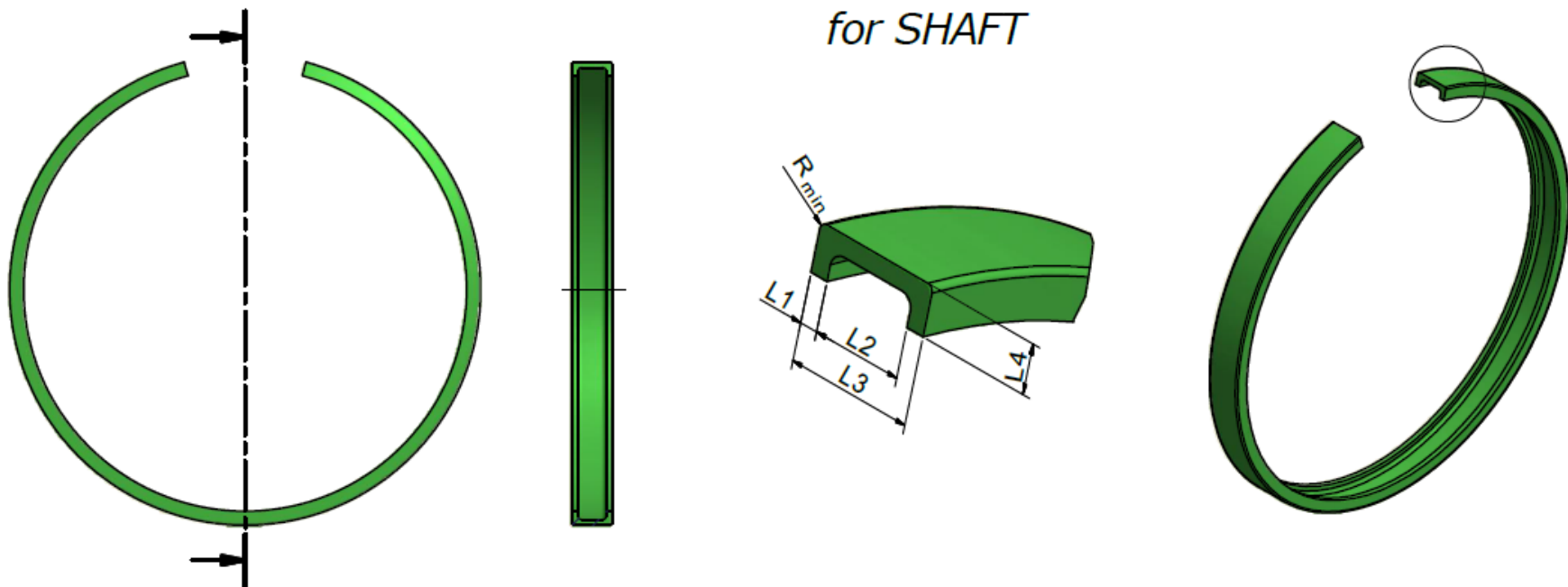
## "U" section RETAINING RINGS for HOLES



STANDARD "U" SECTIONS - RETAINING RINGS for HOLES

<i>pos.</i>	<i>code</i>	<i>L1</i>	<i>L2</i>	<i>L3max</i>	<i>L4</i>	<i>Rmax</i>
01	0.PUQTC15001	0,60	5,00	6,40	1,50	0,30
02	0.PUQTC20501	0,75	3,80	5,36	2,05	0,20
03	0.PUQTC14501	0,80	4,10	5,85	1,45	0,50
04	0.PUQTC15004	0,80	4,80	6,56	1,50	0,30
05	0.PUQTC18001	0,80	6,00	8,00	1,80	0,30
06	0.PUQTC18002	0,80	7,00	8,80	1,80	0,30
07	0.PUQTC25001	1,00	5,00	7,06	2,50	0,20
08	0.PUQTC20001	1,00	6,00	8,10	2,00	0,30
09	0.PUC6045001	1,50	11,60	14,80	4,50	0,50

## "U" section RETAINING RINGS for SHAFT



STANDARD "U" SECTIONS - RETAINING RINGS for SHAFT

<i>pos.</i>	<i>code</i>	<i>L1</i>	<i>L2</i>	<i>L3</i>	<i>L4</i>	<i>Rmin</i>
01	0.PUQTC15003	0,60	3,00	4,20	1,50	0,20
02	0.PUQTC15002	0,60	3,40	4,60	1,50	0,20

Customer Service plays a very important role for PSE. In order to keep improving our service for our clients, we have focused all commercial activities in our parent company in Trezzano Rosa.

We are available for any information on our products, orders, shipping. **We speak your language.**

## Italia&Worldwide

Precision Spring Europa S.p.A  
via Turati, 7  
I-20060 Trezzano Rosa (MI)

Tel: +39 02 920 19 435  
Fax: +39 02 920 19 492

[sales@pse-group.com](mailto:sales@pse-group.com)



[Follow us on our NEW Website! www.pse-group.com](http://www.pse-group.com)